

AW266-LS

High Power 2-Way All Weather
Loudspeaker with 1 x 12" LF

Key Features:

- ▶ Weather-Resistant, All Fiberglass Enclosure
- ▶ EN54-24 Compliant
- ▶ 60° x 60° Coverage
- ▶ 2262H Differential Drive® Low-Frequency Driver
- ▶ 2432H High Frequency Compression Driver
- ▶ Large PT™ Progressive Transition waveguide for excellent pattern control and low distortion
- ▶ Available in Gray and Black finish
- ▶ 400 W, 70/100V Transformer Included
- ▶ U-type Mounting Bracket Included

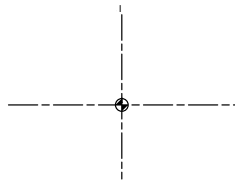
Applications:

- ▶ Sports Facilities
- ▶ Themed Entertainment Venues
- ▶ Outdoor Entertainment Centers
- ▶ Cruise Ships
- ▶ Water Parks

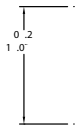
The AW266-LS is a high power, lightweight, 2-way, full-range loudspeaker system comprised of the JBL Differential Drive dual voice coil and dual magnetic gap 2262H 300 mm (12 in) low-frequency driver and 2432H high-frequency 38 mm (1.5 in) exit, 75 mm (3 in) voice-coil compression driver. The large format Progressive Transition wave-guide provides excellent 60° x 60° coverage. The loudspeaker system can be used in either the vertical or horizontal orientation.

The enclosure is constructed of multilayer glass composite and is heavily braced to maximize low-frequency performance. The 16-gauge stainless steel grille, backed with open cell foam and stainless steel mesh, provides excellent protection in the harshest environments. The system can be operated as an 8-ohm device and is equipped with a 400W transformer for 70/100V applications.

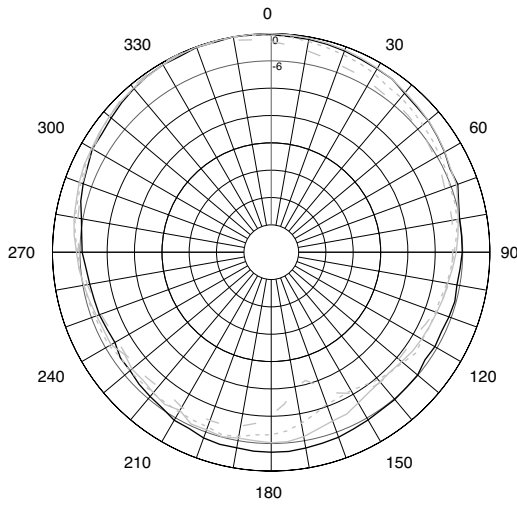
A corrosion-resistant extra-thick zinc-plated polyester powder coated U-type mounting bracket is included.



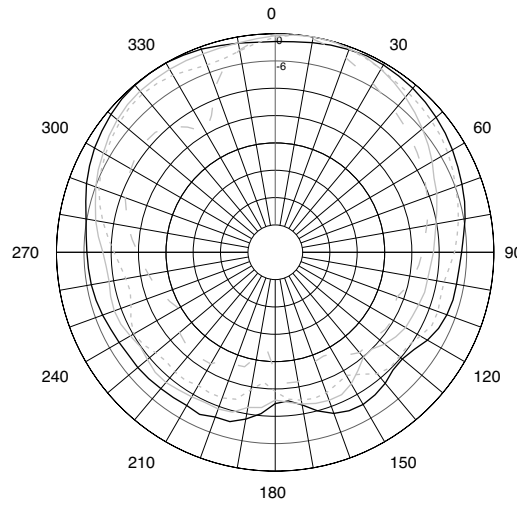
) {



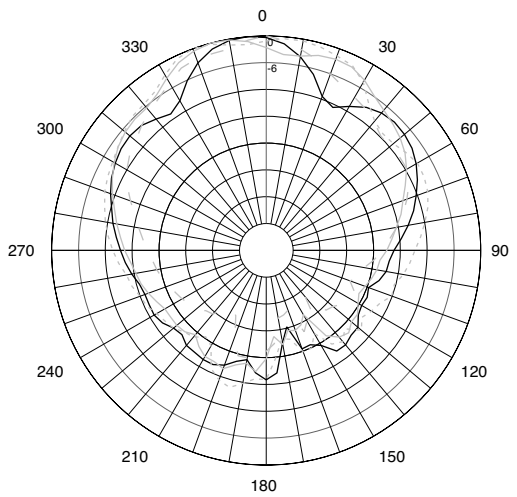
H a 1/3 Oc a e P a s



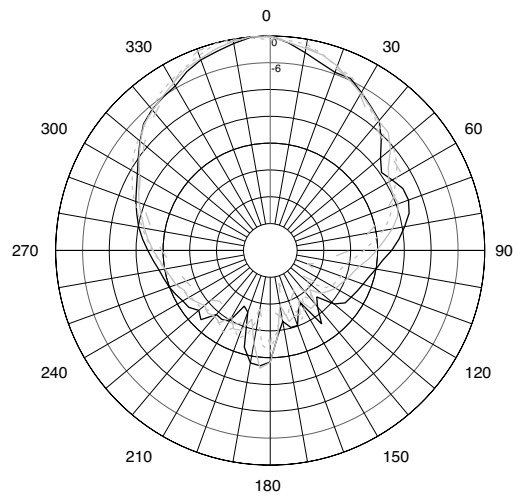
— 200 H
- - 250 H
... 315 H
- · - 400 H



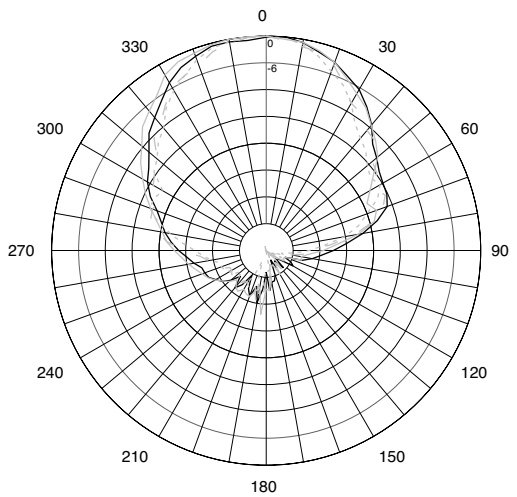
— 500 H
- - 630 H
... 800 H
- · - 1 kH



— 1.25 kH
- - 1.6 kH
... 2 kH
- · - 2.5 kH



— 3.15 kH
- - 4 kH
... 5 kH
- · - 6.3 kH



— 8 kH
- - 10 kH
... 12.5 kH
- · - 16 kH

► AW266-LS High Power 2-Way All Weather Loudspeaker with 1 x 12" LF

Ve ca 1/3 Oc a e P a s

